



OUR POWER, YOUR SATISFACTION



DIAMOND SERIES

Sanitary pumps

DX / JX series



DX Hygienic Series

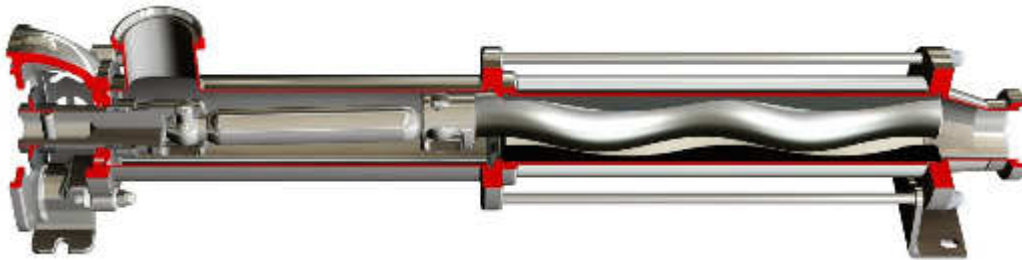
The DX hygienic pump series is state of the art for the food, pharmaceutical, chemical and cosmetic industries. The complete sanitary design, in compliance with standards EHEDG and 3A, ensures maximum **sanitization**. These pumps are top rated for " Clean In Place" and " **Sterilizing** In Place". The geometry of the pumps is designed specifically to allow drainage and avoid dead zones. Each component is manufactured with the highest level of finish and utmost cleanliness.

As well as the parts that come in contact with the product, the block and base plate (when requested) are made of stainless steel (standard in AISI 304).

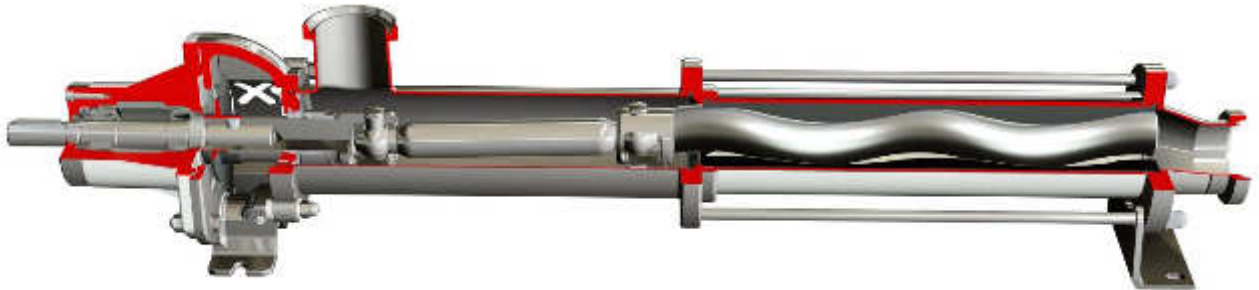
The available fittings include DIN 11851, Clamp ISO 2852, Clamp ASME-3A, Clamp DIN 32676, RJT, SMS 1145 and lastly Garolla and Macon for the wine industry.

The complete range of pumps can be manufactured with block construction (DXO SERIES and DXC SERIES) or bearing housing with independent shaft (JXO SERIES and JXC SERIES)

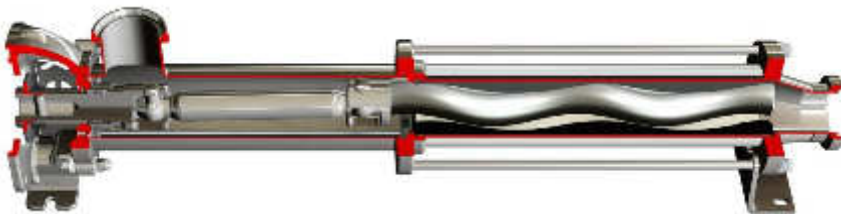
- DX Series: the drive is coupled directly to the pump via a flange. This solution is extremely **cost effective** and compact, considerably reducing installation costs and simplifying maintenance. The **forces** generated by the hydraulic part **are** supported by the drive itself. Each drive used is adequately selected based on their specific technical parameters and are subject to numerous duration tests with heavy loads.



- JX Series: the drive is connected to the shaft inlet via a **flexible coupling**. This configuration is the best solution in terms of performance and durability. All the **forces** generated by the pump **are** absorbed by the bearings in the housing. These bearings have very high resistance against loads. They are assembled with extreme precision on the highest quality manufactured parts. It is the best solution when you want to guarantee duration and reliability, yet with greater installation space requirements. The bearing **unit** designed by us is modular and can be **adapted to a DX Series pump with lantern** installed after a pump with the JX-series block housing. It is state of the art for this type of installation.



DXO SERIES



The DXO series is a hygienic pump with open joint. It is the solution with the best sanitisation characteristics thanks to the design of the casing and the rotating parts completely free of dead zones and stagnation. The pin-type joint has been suitably sized to guarantee long duration. Lubrication of the joint is guaranteed by the product thanks to its open design, therefore it is suitable for non-abrasive fluids. Performance improves considerably when pumping lubricant products.

DXC SERIES

The DXO series is a hygienic pump with pin, standard to the DN series. This solution combines excellent sanitisation characteristics thanks to the design and casing completely free of dead zones and stagnation, together with the performance of the pin-type joint patented in the Diamond series. Lubrication of the pin is independent of the pumped product, therefore it is also suitable for abrasive fluids.



Patented Pin Joint (DXC Series): The pin-type joint, the actual heart of the single screw pump, is the best solution of its type on the market. It offers greater duration, reliability and maintenance costs, managing to combine extreme compactness with unrivalled strength. Its particular manufacturing enables the sub-division of axial loads and torque in different elements, making it one of a kind. As well as the above, replacement of worn parts is cheap thanks to the bushes in the worn zones, avoiding costly replacement of parts (rotor, drive shaft, and female drive shaft). To resist high pressure in the pump casing up to 12 bar, the pin can be hydraulically balanced.



Open Joint (DXO Series): Open joint with superior sanitization characteristics. Lubrication is guaranteed of the pumped product thanks to the mechanical geometry that enables direct entry in contact with the sliding parts. This joint is particularly strong thanks to the dimensions designed to ensure its performance despite the lack of lubrication with specific products. The biggest benefit **counts** in its fast maintenance, for assembly and dismantling there is no need for any tool or product for sealing or lubricant. Replacement is cheap and extremely fast.



Versatility: The Diamond series was designed to be versatile whatever its use. For this reason it can be set up with optionals and accessories suitable for every field of application. As well as the above, the peculiar features of the single screw pump are naturally taken advantage of with various types of fluids pumped, from low to the highest viscosity, clean and containing solids varying in size and nature.

Base plates: The base plates are characterized by considerable thicknesses are very strong. They are made in stainless steel as standard. They can be provided with hygienic housing, with adjustable anti-vibration, in the trolley version or on skids, based on the client's specifications.

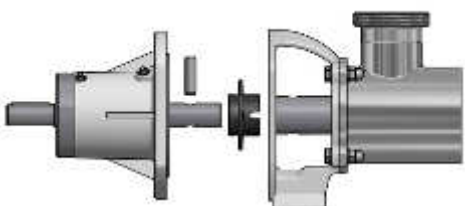


Low pulsating flows: Tensional stress and pulsating flow very low. The effect of the centrifuge is reduced to the minimum thanks to the low operating rotations and the mainly axial development of the pump.

Performance: Duration, efficiency, reliability and low consumption. With the Diamond series, we have reached the maximum levels of technological development in every aspect.

Efficiency: Maximum performance level, exceptional operating efficiency thanks to the optimum volumetric yield and high pressure and consumption reduced to the minimum. All the Diamond series hydraulics were calculated to guarantee the maximum found on today's market.

Modularity: The Diamond series is based on the concept of modularity in every characteristic: hydraulic parts, casing, seals, base plates, housing, drive shafts. Each part can be manufactured in a series of variants without changing the structure of the machine, while keeping the main spare parts standard.



Materials: The parts in contact with the product of the Diamond DXC and DXO series pumps can be in stainless steel (AISI 304 e AISI 316), on request in other materials such as Duplex and Super Duplex. All parts have excellent finishes and the casings are polished to ensure utmost sanitization of the surfaces.

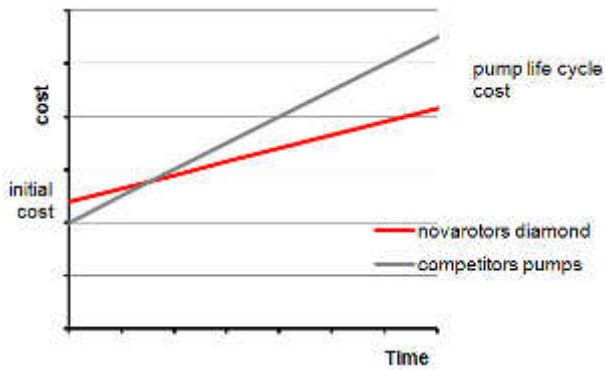
Shaft sealing: Different sealing systems can be installed, each solution being suitable to specific usage. The types available are: ~~mechanical seal~~, single **acting** mechanical seal, ~~single mechanical seal with quench~~, ~~back to back~~ double **acting** mechanical seal **back to back or tandem**, and ~~double mechanical seals in tandem~~. The type of seals are all interchangeable on the standard pump. Each solution was carefully engineered while taking into consideration all the operating conditions. ~~As well as changing the sealing system~~, you can also install various types of mechanical seals based on the application. The inner seals are in the advanced position for greater coverage of the pumped product, promoting its duration and cleaning.



Motorizations: All the drives which are installed on the Diamond series have been tested for long periods and subject to strict and rigorous technical checks. We can install both electric and hydraulic motors.
All the models of reducers and variators present determined characteristics in terms of strength, size of the bearings and the quality of the gears.

Quality Each part is manufactured according the highly restrictive quality specifications. Finishes and precision of each part are the basis of each pump manufactured. All parts are subject to specific controls based on their characteristics and functionality.

Maintenance: The Diamond series is designed to ensure easy maintenance and normally require on the replacement of a minimum number of components .
In particular the joint bushes allow the replace of the same without having to replace shafts and rotors.
The costs of maintenance are really reduced . The cost of the pump, considered in his full life cycle , is highly competitive .

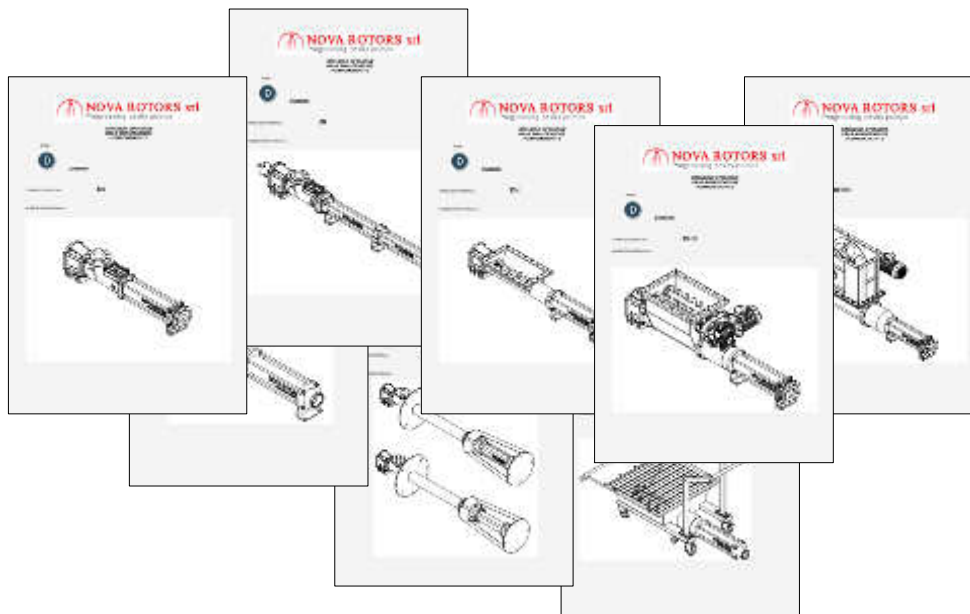


Cost / benefit : The Diamond series , thanks to the compactness of its elements combined technical success without comparison at very competitive costs . The modularity allows you to make the right solutions depending on the application to avoid paying for features you do not need , all in favor of competitiveness

Selfpriming: The peculiarities of hydraulic parts of the progressive cavity pump allow excellent selpriming (up to 7m) . The Diamond series were designed to create the minimum loss possible in the pump body , thanks to large sections and a joint compact design and fluid dynamic .

Ease of installation: The pumps of the Diamond series are easy to install due to compactness, simplicity of operation and operational flexibility thanks to the various features included.

Detailed documentation: Each pump go with clear and detailed operating instructions. Orders are followed by experienced and qualified staff that integrates in providing detailed documentation on demand and specific for the product supplied.



Detailed characteristics

Lantern manufactured as standard in stainless steel
Extremely strong and designed for easy cleaning

Ample suction sections enable excellent drying capacity and makes pumping of viscous substances efficient.
Design free of dead zones or stagnation points.
Polished casing for improved cleaning in CIP and SIP phases
Foodstuff fittings DIN 11851, DIN 11864 or Clamp ISO, ASME, DIN as standard

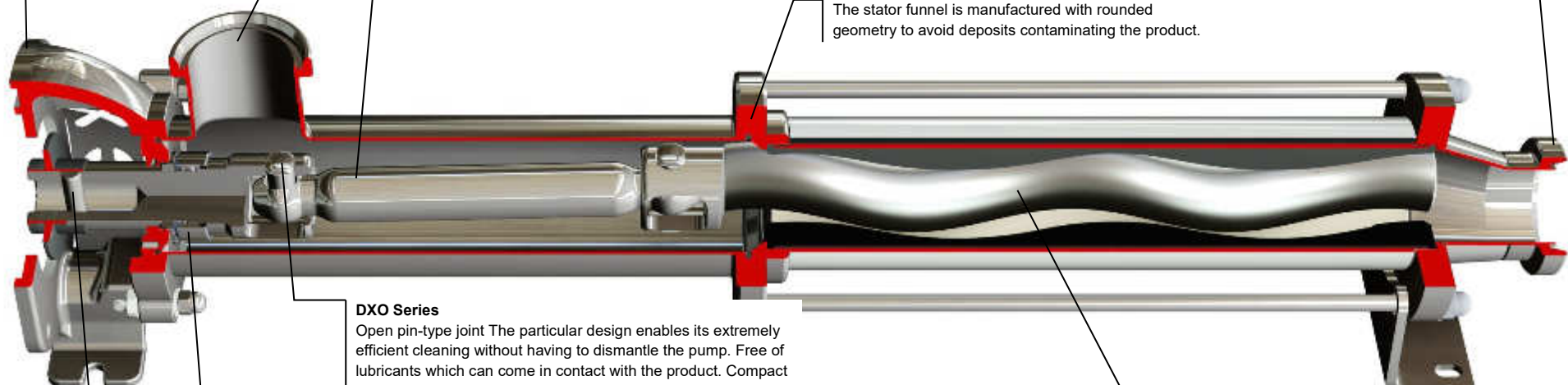
Rotating parts in stainless steel Each part has a highly precious finish to improve sanitisation Various drive shaft options based on needs



CIP connection built into pump body. This option enables insertion of washing fluid in the pump body to clean hygienic pumps in the best way possible. Manufactured tangential to the body, it avoids stagnation and enables efficient drainage of the fluids.

Output sections suitable for reduced load loss
Eccentric cone to avoid dead zones or stagnation points. Polishing improves cleaning in CIP and SIP phases
Foodstuff fittings DIN 11851, DIN 11864 or Clamp ISO, ASME, DIN as standard

The stator funnel is manufactured with rounded geometry to avoid deposits contaminating the product.

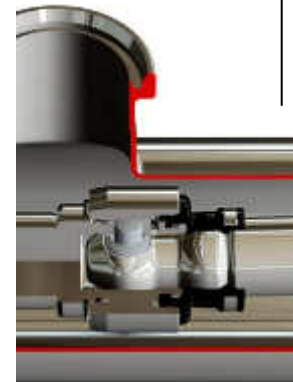


DXO Series
Open pin-type joint The particular design enables its extremely efficient cleaning without having to dismantle the pump. Free of lubricants which can come in contact with the product. Compact and extremely strong, it is the best solution for those requiring maximum sanitisation.

Various seal systems available, including:
~~inner~~ single mechanical seal with and without quench, **internal and external** single mechanical seal, double back to back and tandem mechanical seals
The position of the seal is advanced for maximum transfer of the product flow. This improves the duration of the seal thanks to the greater convection that facilitates cooling. Product stagnation on the seal is avoided.
The quench and double seals should be driven by seal supply systems, suitable for the process, **also API compliant upon request.**
It is also possible to install a vast range of seals according to standard ISO EN 12756 to meet every application need.

Connection via the pin to the drive or the bearing **unit**
The simplest solution for maintenance and enables inverse rotation of the pump The **splash** ring protects the drive shaft against corrosion, further easing maintenance

Rotors and stators resistant to abrasion.
Enables pumping of highly viscous fluids and with suspended solid particles.
The rotor can be provided in various basic materials and **thermally treated or coated** to increase duration.
The stators can be configured with various types of



DXC Series
Patented pin-type joint, the heart of the Diamond series pumps
Combines compactness, simple maintenance, performance, reliability and duration without

VERSION AND OPTION

Casing material

Base materials:
AISI 304, AISI 316

Materials of the sealing shaft

Base materials:
AISI 304, AISI 316

Rotor materials

Base materials:
AISI 420, AISI 304, AISI 316, F51 (Duplex), F55 (Super Duplex)
Heat treatments:
Hardening induction (only on AISI 420)
Coatings:
Chrome oxide plasma (ceramic coating)
Tungsten carbide HVOF

Stator materials

Base materials:
NBR, food grade NBR, white NBR food grade
EPDM, EPDM food grade, white EPDM food grade
FPM, FPM food grade
HNBR, HNBR food grade
SYLICON
Buna-N (available on select models on request)
HYPALON (available on select models on request)
PTFE (available on select models on request)

Base plates

standard Base
Base with anti-vibration housing (**hygienic machine feet**)
Base with risers
Skid with lifting devices
Cart for industrial sector (trolley)
Cart for food grade and winery sector
(For details, see the brochure constructive options, equipment and installations)

Connections

DIN 11851
DIN 11864-1 / DIN 11864-2 / DIN 11864-3
Clamp ISO 2852, Clamp ASME-3A, Clamp DIN 32676
RJT
SMS 1145
Garolla
Macon

Sealing system

Single internal mechanical seal
Single external mechanical seal
Single mechanical seal with Quench Q0K9 (**buffer-Quench-pot required**)
Back-to-back double mechanical seal D0K9 (**pressurized flushing required**)
Tandem double mechanical seal K0K9 (**buffer / flush required**)
Single or double cartridge seals also in API 682 version category 1
Seal supply systems are available also in accordance to API
(For construction details, see the brochure sealing systems and seals)

Optional for coupling rod

Joint Protector
Coupling rod with feed screw
Antisettling impeller
Balanced hydraulic joint (only on DXC series)
(For details, see the brochure constructive options, equipment and installations)

Protection devices

Temperature probe for dry running protection (standard in the ATEX version)
Flow switch
Pressure switch
Flanged overpressure valve
Hygienic overpressure valve
(For details, see the brochure constructive options, equipment and installations)

Control devices

Control panel
Control panel with inverter
Drive with integrated inverter
(For details, see the brochure constructive options, equipment and installations)

Equipment and optional

Stator heating jacket
Heating jacket for body pump
Stainless steel stator cover
Grinder
CIP Connection integrated on the body pump
Integrated Bypass in the pump construction
Quench Pot flushing
Lantern in stainless steel
Hermetic **Lantern**
Carter to protect the motorization
(For details, see the brochure constructive options, equipment and installations)

Certifications

CE
ATEX

FEATURES OF USE

Operating range

Flow

Up to 110 m³/h

Pressure

Up to 24 bar for the standard series (48 bar for the series K8)

Temperature

from -40°C until to 150°C

Typical applications

oenology, wine transfer

Milk and dairy

Sugar industry

Beverages industry

Breweries

Distilleries

Tomato industry

TABLE OF MODELS

Flow and pressure

Size	Model	Qmax 2 bar [m ³ /h]	rpm max	P max [bar]
D020	1L1	4,9	1400	6
	05K2	2,5	1400	12
	025K4	0,7	800	24
D025	2L1	6,9	1000	6
	1K2	9,4	1000	12
	05K4	1,5	800	24
	025K8	0,5	600	48
D030	4L1	11	800	6
	2K2	5,6	800	12
	1K4	2,2	600	24
	05K8	1	500	48
D040	10L1	16,5	600	6
	4K2	8,5	600	12
	2K4	3,7	500	24
	1K8	1,5	400	48
	16L1	23,5	600	4
	8K2	12	600	8
D060	20L1	28	500	6
	10K2	14	500	12
	4K4	5,7	400	24
	2K8	2,6	350	48
	30L1	33	500	4
	16K2	16,5	500	8
D120	40L1	43	400	6
	20K2	20	400	12
	10K4	10	350	24
	4K8	5	350	48
	60L1	63,5	400	4
	30K2	32	400	8
D300	80L1	76	350	6
	40K2	38	350	12
	20K4	15,4	300	24
	10K8	8,5	300	48
	120L1	110	350	4
	60K2	55	350	8



Via Carlo Cattaneo, 19/25
36040 - SOSSANO (VI)
ITALY



ISO 9001: 2008
No.:2011/1353



OHSAS 18001:2007
No.:2010/915



CEC 07 ATEX 110 - REV.1